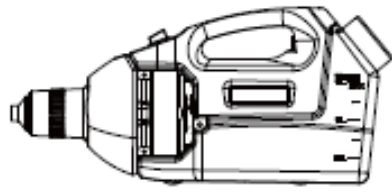


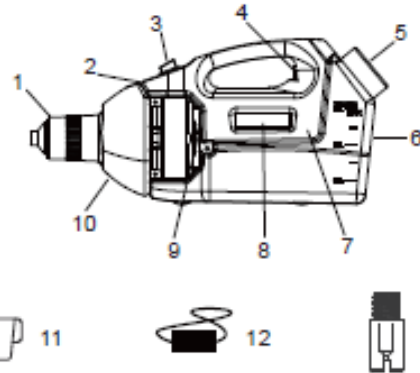
Device instruction manual



Please read this instruction manual carefully before using the device

Warning :Do not use the machine while charging.
Liquid can not exceed warning line in the tank.

I . Product Spare Parts Description



- | | | |
|----------------------|--------------------------|------------------|
| 1.Atomizer | 2.Air pipe | 3.Switch |
| 4.Charging Connector | 5.Tank Cap | 6.Tank |
| 7.Battery box | 8.Power capacity display | 9.Battery switch |
| 10.Motor box | 11.Measuring cup | 12.Adapter |
| 13.Nozzle | | |

II . Product specifications and technical parameters

The battery version

Rated voltage : DC 24V
Capacity : 1.6L
Rated power : 200W
Spray volume : 25-350ml/min(adjustable)
Droplet size : 35-60µm
Spraying distances : 4-5M
Battery : 24V
Product size : 408*186*117.8mm

III . The operation instruction:

1.Add the disinfectant liquid in the water tank and after is completed tighten the tank cap. (Noted:Do not add more liquid than the maximum capacity of the water tank, otherwise, the liquid will flow into the battery box will damage the machine).
2.Firstly,open the switch of battery ,and then open the power switch of the device, then the device start to work (Refer to following picture)



3.During the use of the device, please do not tilt down the spray nozzle when the liquid is less. Avoid accumulation of liquid in the front of the container, then back end pipette can not absorb the liquid.
4.Please do not tilt the device excessively at any time, causing the liquid in the container to exceed the warning line.



5.It is suggested to uptilt device a certain angle run out the liquid in the container when the liquid is less than 0.5L.



6.Battery Switch Button : when you recharge the battery and the battery switch button need to turn on, otherwise, it can not recharge; After you finish the battery rechargeable, it needs to turn off the battery switch button and then turn on it , otherwise the machine will be not working

7. After used up disinfectant liquid, put some water in the tank and work around 1-2 minutes to avoid the disinfectant liquid blocking or corroding the nozzles and pipes.
8.Please turn off the switch of battery after use the device every time.

IV . Battery use and maintenance

The sprayer is whole machine charging

1.Charging instructions: When the battery is in the charging state, the charger indicator is red, and the charger indicator will be green when fully charged.
2.Device charging scheme: the device must be placed in a safe, dry and normal temperature environment for charging; the device must be turned off during charging; prevent the device from being stable when charging, and connect the charger to the charging connector on the side of the device. Keep charging until the indicator light turns green; the charging time is around 3 hours.

V . Fault analysis and Solution

Reason	Solution
--------	----------

1. Fault phenomenon: the motor does not run.



Reason	Solution
--------	----------

2. Fault phenomenon: the motor runs but does not spray.



VI . Attentions

- Please fully charge the battery before using.
- If it is found that the equipment has entered the water, you need to wait for it to dry completely before turning it on.
- Please use the device at the ambient temperature between 0~40℃. Do not strike with heavy or sharp objects and prevent it from falling, please use the special battery configured with this device,prohibit to use other types of batteries to avoid damaged product.
- Please turn on the switch of battery and turn off the switch of device when the device is charging.
- Please keep the battery fully charged and recharge it every month if the device is not used for a long time.
- Don't use the strong corrosive liquid. The water-soluble chemicals must be completely dissolved.The liquid which added to tank must be free of impurities to prevent clogging of the pipeline.

7.After a long-term use machine, please remove and clean the filter cotton, dry it and then put it back the device continues to be used.

8.The maximum amount of added liquid cannot exceed the warning line.

9.Please cut off the power immediately If the following situations occur:

- Water leak into the device;
- The pump system stopped suddenly;
- The pump sound changes noticeably
- The tank leaking water ;
- The pump does not work or other abnormal conditions during start up.
- Prohibit to use the device in the rain
- Prohibit to use wet hand to "plug" and "unplug" the battery and adapter; Keep the device away from the flammable and explosive and high temperature environment.

VII . Warranty and after-sales service

1.Equipment warranty and attentions

- All devices enjoy 12 months free maintenance (from the day of sale).
- Free maintenance requirements: Warranty card,invoice or other certifications which can prove it ordered from our company.

(3).The fault caused by human error or wrong operation is without warranty.

VII. Accessories and spare parts

Product	Specification	Quantity	Remark
Device	Host	1PC	
Adapter	DC 24V	1PC	
Filter sponge		1PC	
Nozzle	Nozzle specification 0.3mm 0.5mm	1PC	Corresponding droplet size 0.3mm <35µm 0.5mm <40µm
Measuring cup	100ml	1PC	
User manual		1PC	